



**LUMINAIRE TESTING LABORATORY, INC.**

SUSTAINING  
MEMBER  
of the  
IESNA

905 Harrison Street · Allentown, PA 18103 · 610-770-1044 · Fax 610-770-8912 · www.LuminaireTesting.com

LTL NUMBER: 09754

DATE: 03-30-2006

PREPARED FOR: HOLLY SOLAR PRODUCTS

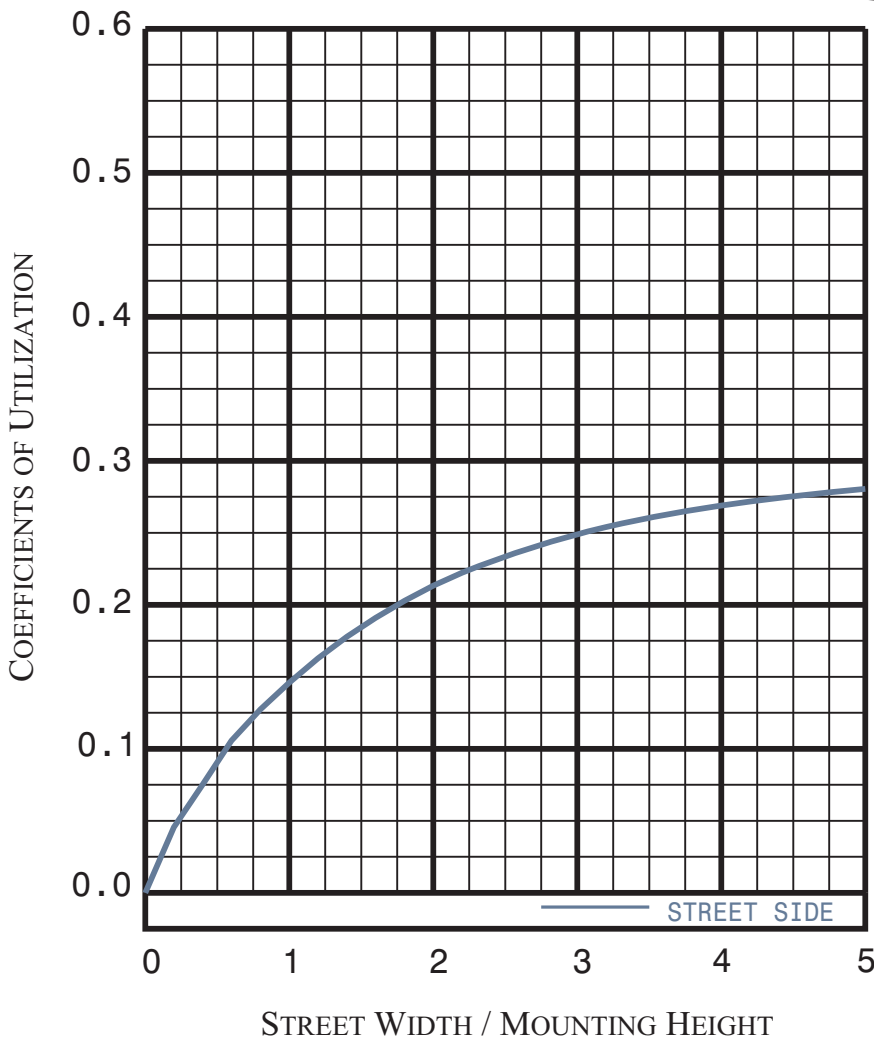
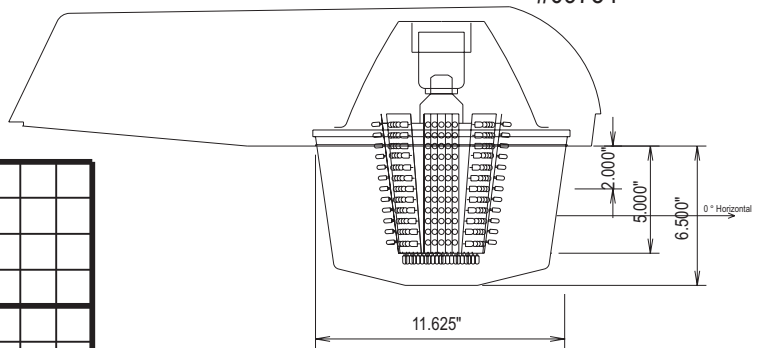
CATALOG NUMBER: HSP516

LUMINAIRE: CAST ALUMINUM HOUSING, SPUN WHITE ENAMEL ALUMINUM REFLECTOR,  
CLEAR PRISMATIC ACRYLIC LENS.

LAMP: ONE ARRAY CONSISTING OF 516 WHITE LEDS RATED AT 2260 LUMENS  
THIS LUMEN RATING WAS MEASURED ON THE LTL GONIOPHOTOMETER USING  
A CALIBRATED PHOTOCCELL STANDARD.

ELECTRICAL VALUES: 24.0VDC, 2.28A, 54.72W

#09754



IES CLASSIFICATION: **AREA LIGHT**  
CUTOFF CLASSIFICATION: **NON-CUTOFF**

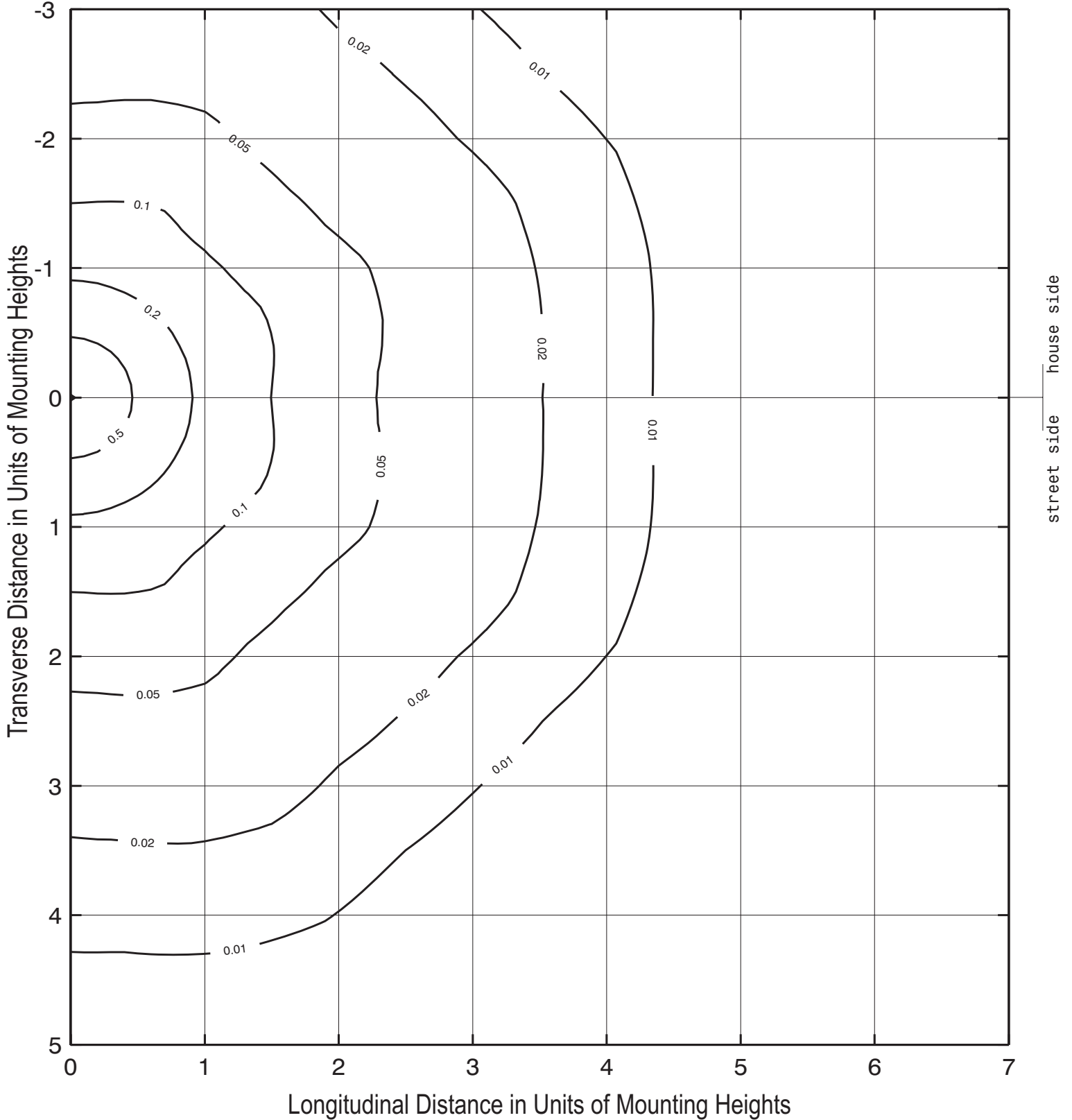
**FLUX DISTRIBUTION**

LUMENS	DOWNWARD	UPWARD	TOTALS
HOUSE SIDE	708 (31.3%)	136 ( 6.0%)	844 (37.4%)
STREET SIDE	708 (31.3%)	136 ( 6.0%)	844 (37.4%)
TOTALS	1416 (62.7%)	272 (12.1%)	1689 (74.8%)

TESTED BY HERSCHEL SCHRECK  
CHECKED BY MIKE GRATHER



### ISOFOOTCANDLE LINES OF HORIZONTAL ILLUMINATION VALUES BASED ON 18.00 FOOT MOUNTING HEIGHT





CANDELA DISTRIBUTION

Table with 12 columns (0-90) and 24 rows (0-180) showing Candela Distribution values. The value 352 is highlighted in red in the row for 74.5 and column for 65.



MAXIMUM PLANE AND CONE PLOTS OF CANDELA

